

LAHARCO® GTD SERIES

HIGH POWERED GREEN



For applications with bright lighting where standard lasers are hard to see, Connexus Industries provides a line of High Powered Green Laser Guidelines. The GTD series project brilliant bright lines that operators can easily see and are equipped with TEC (thermal electric cooling) which keeps the output power stable even in extreme temperatures.

Along with our Powerline® Lens, our Laharco® Lasers deliver the sharpest quality laser lines in the industry. The entire laser line will be consistent in intensity and thickness.

TYPICAL APPLICATIONS

- OEM Industrial Equipment
- Steel Plate Cutting
- Sawmill Equipment: Grading Decks, Carriage, Log Cut-Offs
- Furniture and Woodworking
- Textile Processing
- Stone Cutting: Bridge & Slab Saws
- Machine Vision Camera, Scanning/ Optimizing
- Medical: Alignment & Positioning

HIGH POWERED GREEN LASER BENEFITS

- Higher Accuracy
- Maximize Yield
- Minimize Waste
- Greater Productivity

LAHARCO® GREEN DIODE

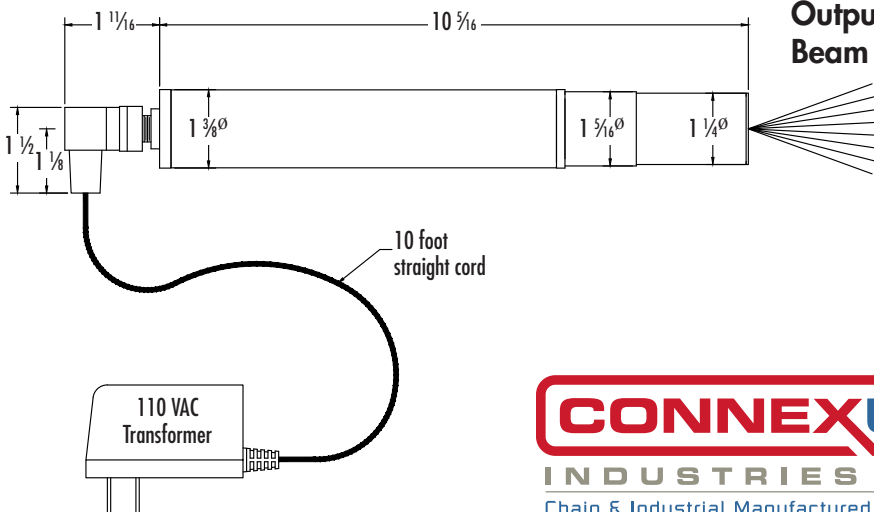
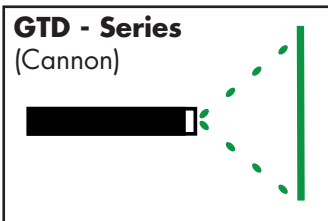
- Superior Line Quality • Specially Designed Optics • Rugged Construction
- Nickel Plated Finish • Full Warrant • 3-Day Repair Turnaround

The new Laharco® self-contained assembly provides intense green light in 10-30mW power configurations. Operating from 5-24 VDC or 100-240 VDC TTL. These new diode pumped solid state lasers maintain constant output power.

The intense green beam is useful for visual and machine vision applications in harsh or industrial environments, with optics housed in a sealed cell to provide added protection against contaminants and moisture.

FEATURES

- Power Stability better than 5% over 8 hours
- TEC (thermal electric cooling) provides wide operating temperature range
- Rugged Industrial Packaging
- One piece housing entirely self-contained
- 12 Month Warranty from date of Shipment
- Warm up time <5 minutes
- Bore Sighted Beam
- Focused Beam for each Application



SPECIFICATIONS

Wave Length	532nm
Environmental	Meets NEMA, Water Resistant
Beam Angle	10 to 90 Degrees
Powers Available	10-30mW
Operating Current	1.5 Amp
Housing	Aluminum – Nickel Plated
Dimensions	Diameter 1-3/8" x Length 12"
Weight	2 lbs
Operating Temperature	-20C to +45C (-4F to 113F)
Operating Voltage	5-24 VDC, 100 VAC to 240 VAC, 50Hz/60Hz (1.5 – 2.4 VDC TTL)
Output Mode	Gaussian TEM00
Beam Profile	1mm Round Bea 1/E2



Langley CAD HQ

Quebec Branch

Portland USA HQ

Atlanta Branch

tel **604.882.1602**
toll free **1.800.324.1244**

tel **418.834.5116**
toll free **1.888.650.6090**

tel **503.222.9992**
toll free **1.800.367.9992**

tel **678.797.0777**
toll free **1.877.941.1500**

www.cnxsind.com